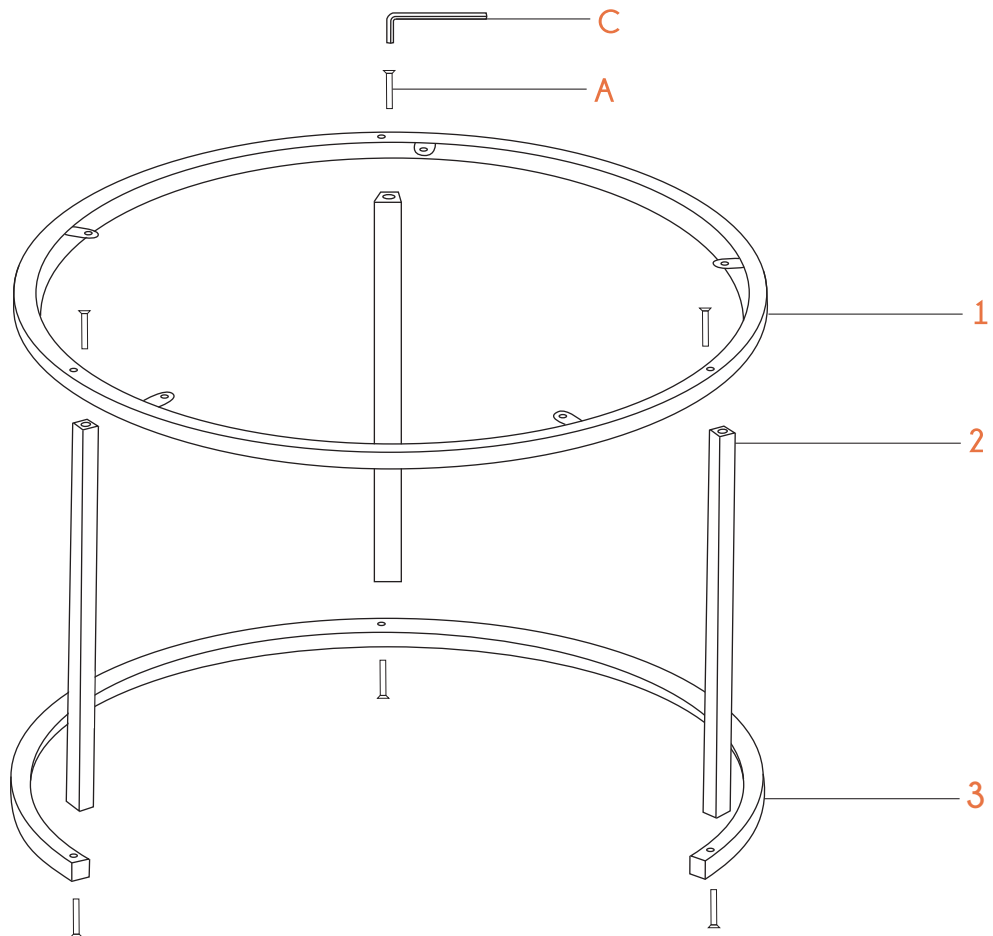


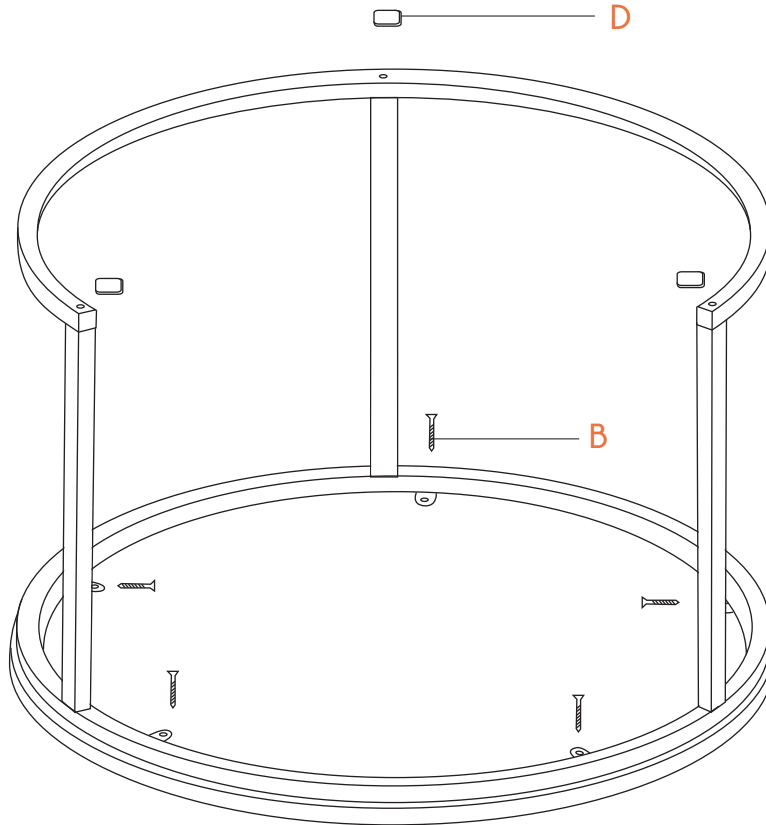
1



Care instructions

- Tighten the screws at the end of the construction and check them regularly afterwards
- Do not use power screw drivers as they might cause splitting
- Only use special cleanser or impregnate oil to clean wooden products and water and soap for aluminium and steel products
- Use soft brushes when cleaning to avoid scratching the surface
- Protect your furniture/products with a cover when you are not using it

2



Bescherm het blad,
gebruik een zachte ondergrond tijdens montage.

Care instructions

- Tighten the screws at the end of the construction and check them regularly afterwards
- Do not use power screw drivers as they might cause splitting
- Only use special cleanser or impregnate oil to clean wooden products and water and soap for aluminium and steel products
- Use soft brushes when cleaning to avoid scratching the surface
- Protect your furniture/products with a cover when you are not using it