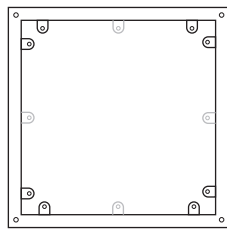


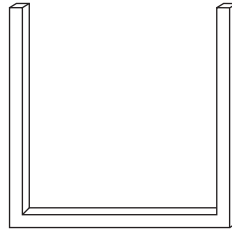
Salontafel vierkant set 60x60 - 45x45



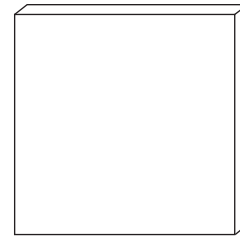
1. 1x



2. 4x



3. 1x



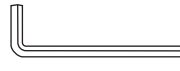
4. 1x



A. 8x



B. 12x (60x60)
8x (45x45)



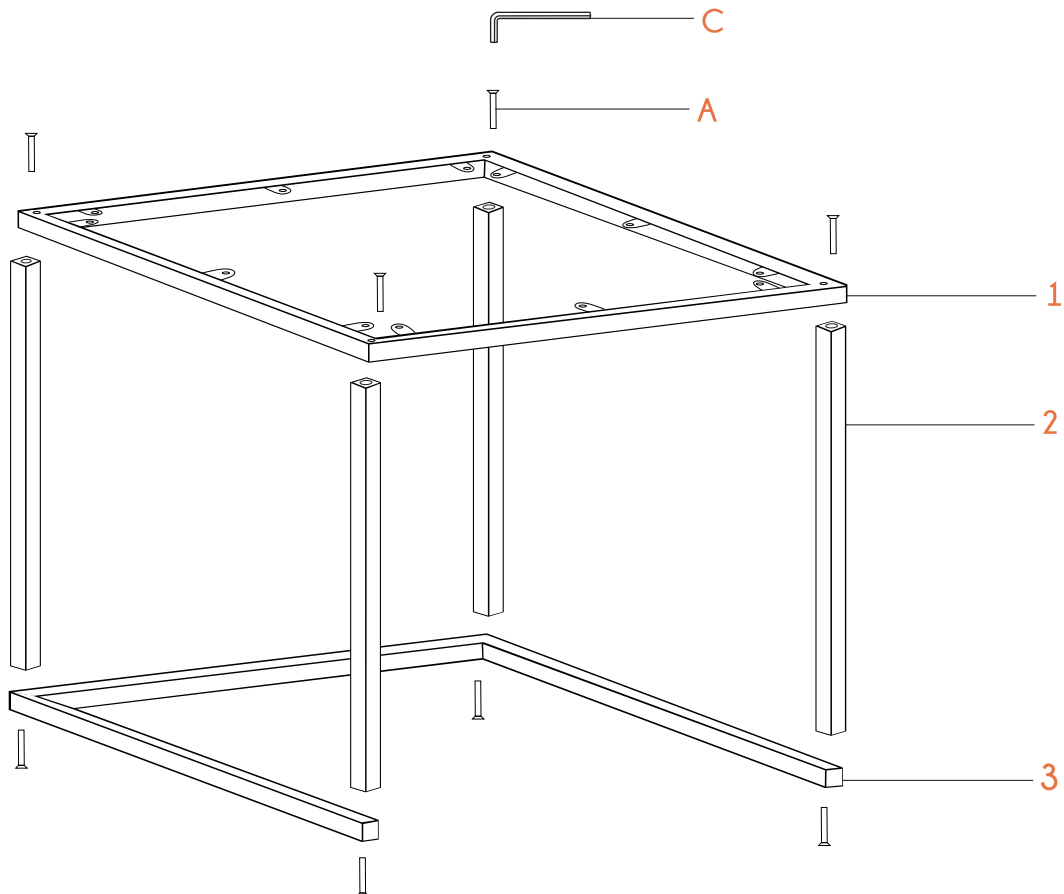
C. 1x



D. 4x

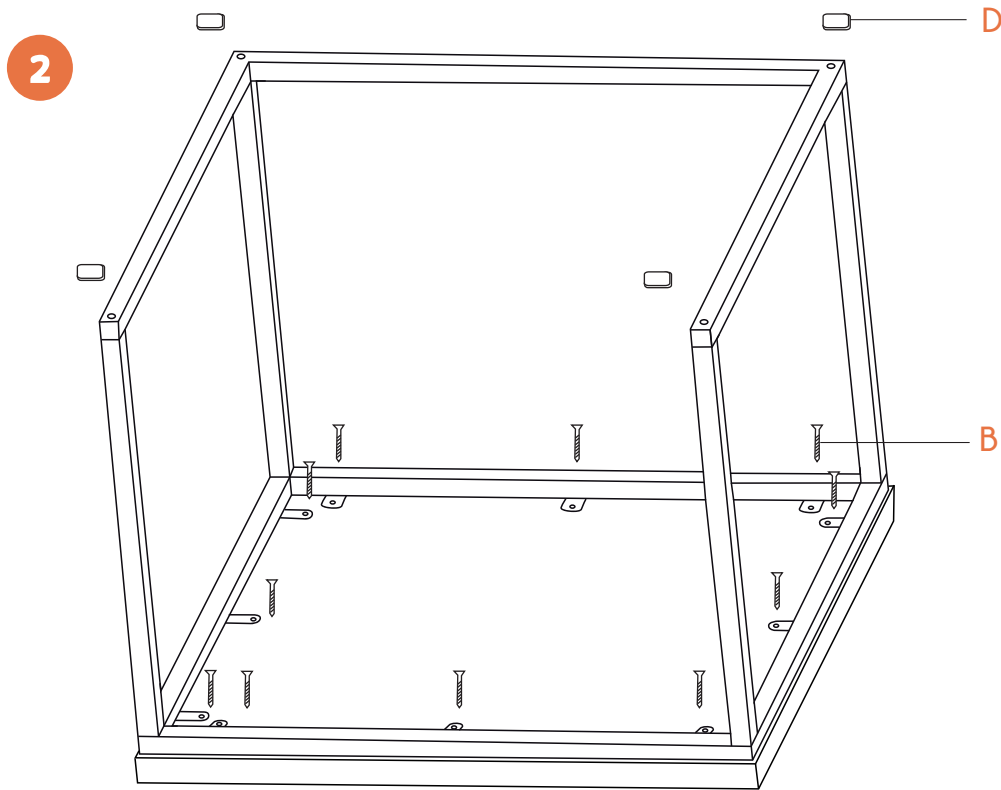
- Aantallen per salontafel.
- Sleutel C. 1x meegeleverd per set.

1



Care instructions

- Tighten the screws at the end of the construction and check them regularly afterwards
- Do not use power screw drivers as they might cause splitting
- Only use special cleanser or impregnate oil to clean wooden products and water and soap for aluminium and steel products
- Use soft brushes when cleaning to avoid scratching the surface
- Protect your furniture/products with a cover when you are not using it



Bescherm het blad,
gebruik een zachte ondergrond tijdens montage.

Care instructions

- Tighten the screws at the end of the construction and check them regularly afterwards
- Do not use power screw drivers as they might cause splitting
- Only use special cleanser or impregnate oil to clean wooden products and water and soap for aluminium and steel products
- Use soft brushes when cleaning to avoid scratching the surface
- Protect your furniture/products with a cover when you are not using it